

MB-S60/65A

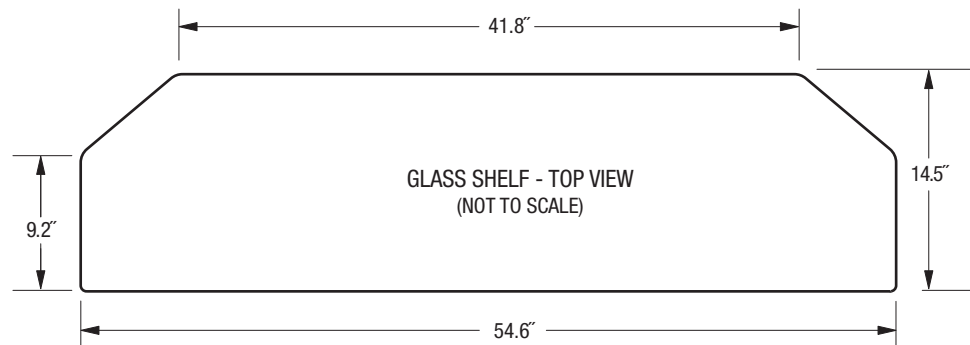
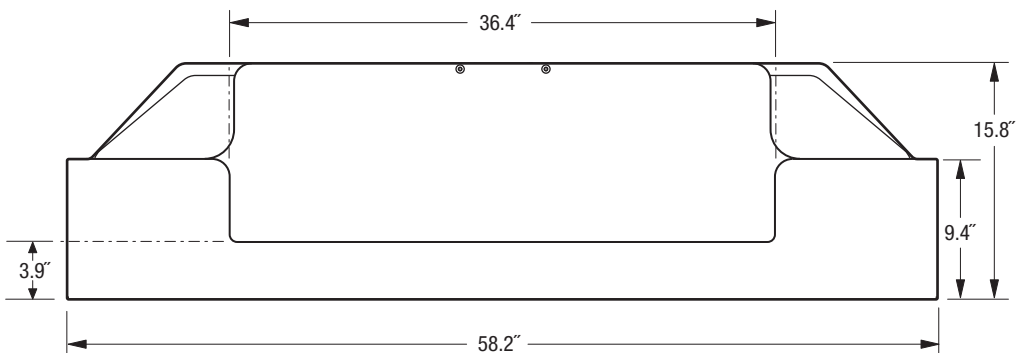
Matching Base for WD-60C8 / WD-65C8 / WD-60C9 / WD-65C9 /
WD-60737 / WD-65737 / WD-65837



TOP

OVERALL DIMENSIONS (Approx.)

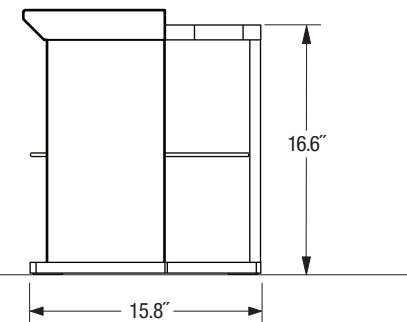
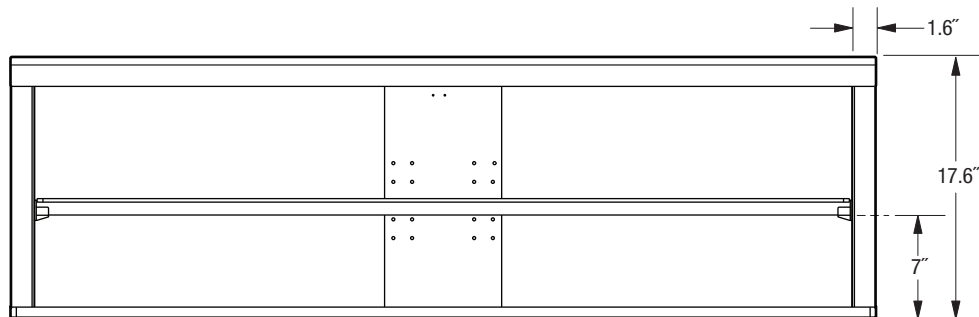
TV+Base Height	Effective Height	Width	Depth	Weight
56.1"	16.6"	58.2"	15.8"	66.1 lbs.



FRONT

LEFT SIDE

GLASS SHELF HEIGHT ADJUSTABLE; SHOWN IN CENTERMOST POSITION



Note: Illustrations not necessarily to scale. Descriptions and specifications subject to change without notice. The dimensions are approximate for general information when deciding the locations and placements of the product. When creating a custom-built environment for this product, please take exact measurements from the specific unit to be installed before doing any finished carpentry. When installing the unit, allow for air circulation, ventilation, and variations due to manufacturing tolerances. The cosmetic appearance of the product may vary from that depicted here. Not responsible for typographical or printed errors.